

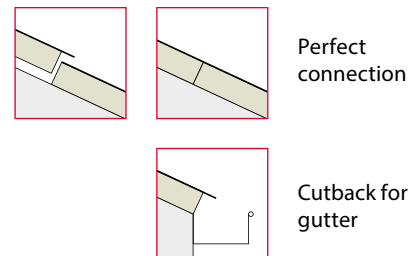
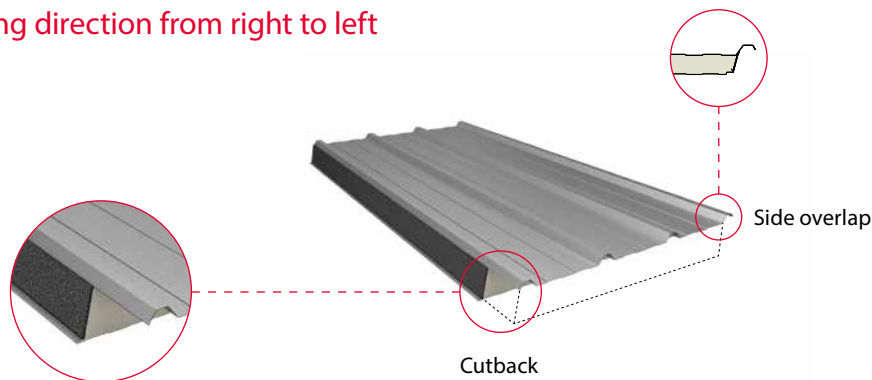
CUTBACK (CB)

A Cutback (CB) or clean overlap can be arranged for sandwich roof panels. The PIR foam and the steel base plate are then removed from the top plate at the end. This is done fully automatically in our production process. During the mounting, the position of a CB is always at the bottom of the panel, through which the CB determines the laying direction on the roof.

You can still choose whether you want left or right panels. Always install against the prevailing wind direction. because of this the longitudinal overlap lies nicely with the wind, which means that ends better (see also 2nd page of the PDF). A CB is possible can be made from 30 mm to 300 mm. The minimal roof panel length is 2.800 mm + the length of the chosen CB.

Example right panel

Laying direction from right to left



SAB-profiel bv - A Tata Steel Enterprise

Produktieweg 2, NL-3401 MG IJsselstein

Postbus 97, NL-3400 AB IJsselstein

T +31 (0)30 68 79 700

E info@sabprofiel.nl

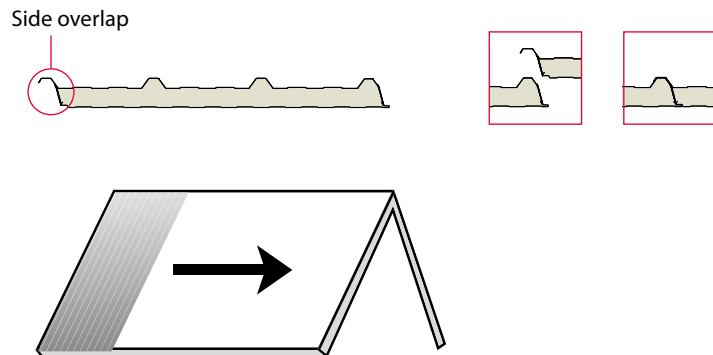
www.sabprofiel.nl

LEFT/RIGHT PANEL

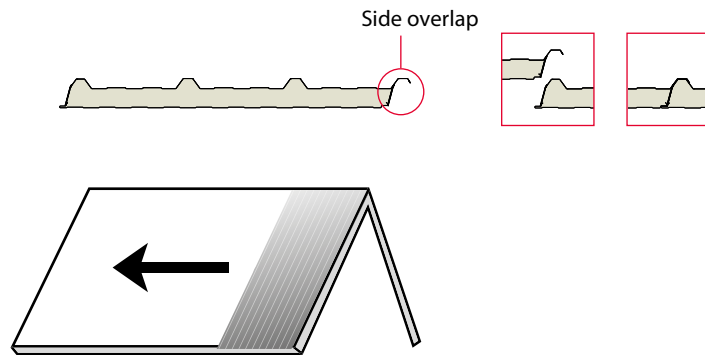
SAB-profiel supplies sandwich roof panels in both left and right-handed versions. If you assemble from the left, choose one left CB, then both the longitudinal overlap and the end overlap are present (CB) on the right side. If you go against the prevailing wind direction

installed, the wind cannot get a grip on the longitudinal overlap and the rain is blown over it. If there is none prevailing wind direction, mount against the line of sight then the longitudinal overlaps are least visible.

Left panel Laying direction from left to right



Right panel Laying direction from right to left



SAB-profiel bv - A Tata Steel Enterprise

Produktieweg 2, NL-3401 MG IJsselstein

Postbus 97, NL-3400 AB IJsselstein

T +31 (0)30 68 79 700

E info@sabprofiel.nl

www.sabprofiel.nl